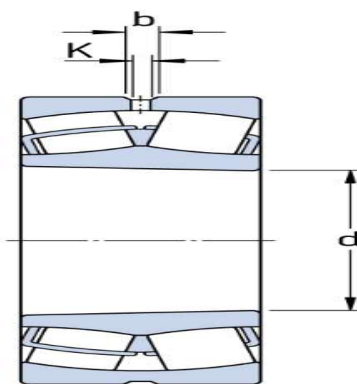
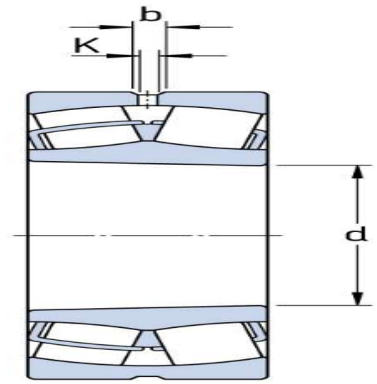
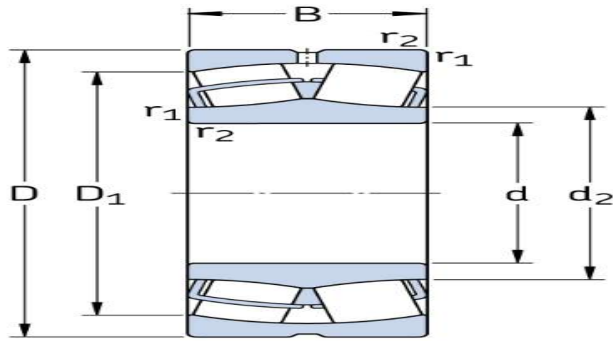


Cylindrical bore



Tapered bore

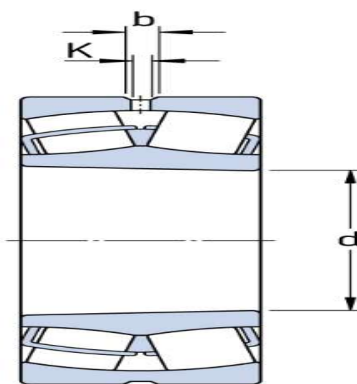
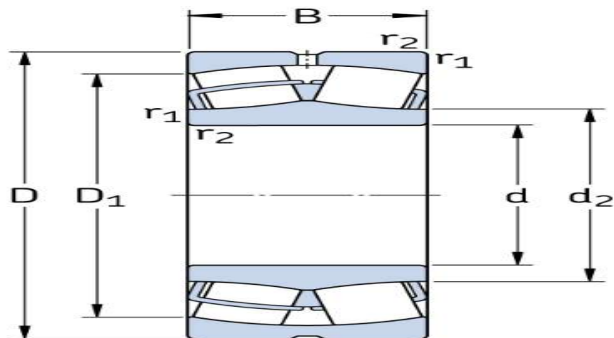
نام محصول	قطر داخل	قطر بیرون	ارتفاع B	وزن	نرخ بار دینامیک (C)	نرخ بار استاتیکی (C0)	حد بار خستگی (Pu)	نرخ حد سرعت	یاتاقان مربوطه
	mm	mm	mm	kg	kN	kN	kN	r/min	
22205 EK + H 305	20	52	18	0.33	49	44	4.75	17000	SNL505
22205 E	25	52	18	0.26	49	44	4.75	17000	SNL205
21305 CC	25	62	17	0.28	41.4	41.5	4.55	12000	SNL305
22206 EK + H 306	25	62	20	0.39	64	60	6.4	14000	SN506
21306 CCK + H 306	25	72	19	0.51	55.2	61	6.8	10000	---
22206 E	30	62	20	0.29	64	60	6.4	14000	SNL206
21306 CC	30	72	19	0.41	55.2	61	6.8	10000	SNL306
22207 EK + H 307	30	72	23	0.59	86.5	85	9.3	12000	SN507
21307 CCK + H 307	30	80	21	0.69	65.6	72	8.15	9500	---
22207 E	35	72	23	0.45	86.5	85	9.3	12000	SN207
21307 CC	35	80	21	0.55	65.6	72	8.15	9500	SNL307
22208 EK + H 308	35	80	23	0.68	96.5	90	9.8	11000	SN508
21308 EK + H 308	35	90	23	0.92	104	108	11.8	9500	SN608
22308 EK + H 2308	35	90	33	1.25	150	140	15	8000	SN608
22208 E	40	80	23	0.53	96.5	90	9.8	11000	SN208
22209 EK + H 309	40	85	23	0.81	102	98	10.8	10000	SN509
21308 E	40	90	23	0.75	104	108	11.8	9500	SN308
22308 E	40	90	33	1.05	150	140	15	8000	SN308
21309 EK + H 309	40	100	25	1.2	125	127	13.7	8500	SN609
22309 EK + H 2309	40	100	36	1.7	183	183	19.6	7000	SN609
22209 E	45	85	23	0.58	102	98	10.8	10000	SN209
22210 EK + H 310	45	90	23	0.9	104	108	11.8	9500	SN510
21309 E	45	100	25	0.99	125	127	13.7	8500	SN309
22309 E	45	100	36	1.4	183	183	19.6	7000	SN309
21310 EK + H 310	45	110	27	1.6	156	166	18.6	7500	SN610
22310 EK + H 2310	45	110	40	2.25	220	224	24	6300	SN610
22210 E	50	90	23	0.63	104	108	11.8	9500	SN210



Cylindrical bore

Tapered bore

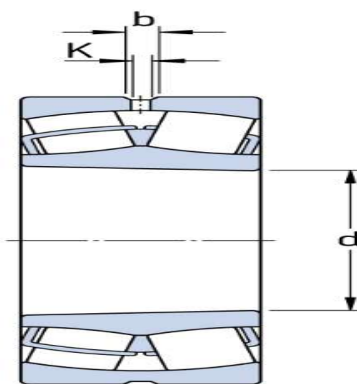
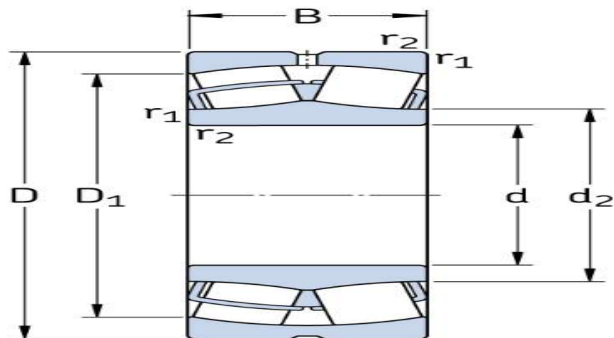
22211 EK + H 311	50	100	25	1.1	125	127	13.7	8500	SN511
21310 E	50	110	27	1.35	156	166	18.6	7500	SN310
22310 E	50	110	40	1.9	220	224	24	6300	SN310
21311 EK + H 311	50	120	29	1.95	156	166	18.6	7500	SN611
22311 EK + H 2311	50	120	43	2.85	270	280	30	5600	SN611
22211 E	55	100	25	0.84	125	127	13.7	8500	SN211
22212 EK + H 312	55	110	28	1.45	156	166	18.6	7500	SN512
21311 E	55	120	29	1.7	156	166	18.6	7500	SN311
22311 E	55	120	43	2.45	270	280	30	5600	SN311
21312 EK + H 312	55	130	31	2.35	212	240	26.5	6300	SN612
22312 EK + H 2312	55	130	46	3.5	310	335	36.5	5300	SN612
22212 E	60	110	28	1.15	156	166	18.6	7500	SN212
22213 EK + H 313	60	120	31	1.95	193	216	24	7000	SN513
22214 EK + H 314	60	125	31	2.15	208	228	25.5	6700	---
21312 E	60	130	31	2.1	212	240	26.5	6300	SN312
22312 E	60	130	46	3.1	310	335	36.5	5300	SN312
21313 EK + H 313	60	140	33	2.9	236	270	29	6000	SN613
22313 EK + H 2313	60	140	48	4.2	340	360	38	5000	SN613
21314 EK + H 314	60	150	35	3.7	285	325	34.5	5600	---
22314 EK + H 2314	60	150	51	5.35	400	430	45	4500	---
24013 CC/W33	65	100	35	0.95	132	173	20.4	6300	---
22213 E	65	120	31	1.55	193	216	24	7000	SN213
22215 EK + H 315	65	130	31	2.45	212	240	26.5	6300	SN515
21313 E	65	140	33	2.55	236	270	29	6000	SN313
22313 E	65	140	48	3.75	340	360	38	5000	SN313
21315 EK + H 315	65	160	37	4.5	285	325	34.5	5600	SN615
22315 EK + H 2315	65	160	55	6.5	440	475	48	4300	SN615
22214 E	70	125	31	1.55	208	228	25.5	6700	---
22216 EK + H 316	70	140	33	3	236	270	29	6000	SN516
21314 E	70	150	35	3.1	285	325	34.5	5600	SNL314
22314 E	70	150	51	4.55	400	430	45	4500	SNL314
21316 EK + H 316	70	170	39	5.3	325	375	39	5300	SN616
22316 EK + H 2316	70	170	58	7.65	490	540	54	4000	SN616



Cylindrical bore

Tapered bore

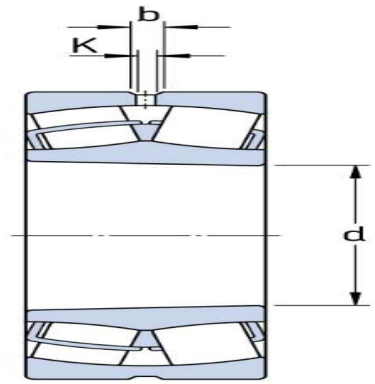
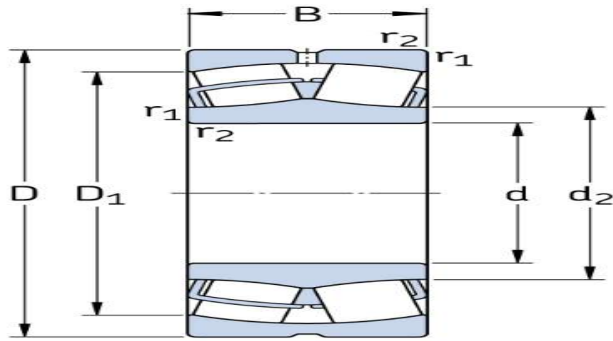
24015 CC/W33	75	115	40	1.55	173	232	28.5	5300	---
22215 E	75	130	31	1.7	212	240	26.5	6300	SN215
22217 EK + H 317	75	150	36	3.7	285	325	34.5	5600	SN517
21315 E	75	160	37	3.75	285	325	34.5	5600	SN315
22315 E	75	160	55	5.55	440	475	48	4300	SN315
21317 EK + H 317	75	180	41	6.2	325	375	39	5300	SN617
22317 EK + H 2317	75	180	60	8.85	550	620	61	3800	SN617
22216 E	80	140	33	2.1	236	270	29	6000	SN216
22218 EK + H 318	80	160	40	4.55	325	375	39	5300	SN518
23218 CCK/W33 + H 2318	80	160	52.4	6	355	440	48	3800	SN518
21316 E	80	170	39	4.45	325	375	39	5300	SN316
22316 E	80	170	58	6.6	490	540	54	4000	SN316
21318 EK + H 318	80	190	43	7.25	380	450	46.5	4800	---
22318 EK + H 2318	80	190	64	10.5	610	695	67	3600	SN618
22217 E	85	150	36	2.65	285	325	34.5	5600	SN217
22219 EK + H 319	85	170	43	5.45	380	450	46.5	4800	SN519
21317 E	85	180	41	5.2	325	375	39	5300	SN317
22317 E	85	180	60	7.65	550	620	61	3800	SN317
21319 EK + H 319	85	200	45	8.25	425	490	49	4500	SNL619
22319 EK + H 2319	85	200	67	12	670	765	73.5	3400	SN619
22218 E	90	160	40	3.4	325	375	39	5300	SN218
23218 CC/W33	90	160	52.4	4.65	355	440	48	3800	SN218
23120 CCK/W33 + H 3120	90	165	52	6.15	365	490	53	4000	---
22220 EK + H 320	90	180	46	6.4	425	490	49	4500	SN520
23220 CCK/W33 + H 2320	90	180	60.3	8.75	475	600	63	3400	SN520
21318 E	90	190	43	6.1	380	450	46.5	4800	SN318
22318 E	90	190	64	9.05	610	695	67	3600	SN318
21320 EK + H 320	90	215	47	10.5	425	490	49	4500	SNL620
22320 EK + H 2320	90	215	73	15.2	815	950	88	3000	SN620
22219 E	95	170	43	4.15	380	450	46.5	4800	---
21319 E	95	200	45	7.05	425	490	49	4500	SN319
22319 E	95	200	67	10.5	670	765	73.5	3400	SN319
24020 CC/W33	100	150	50	3.15	285	415	45.5	4000	---



Cylindrical bore

Tapered bore

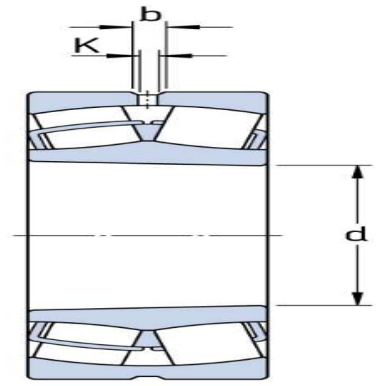
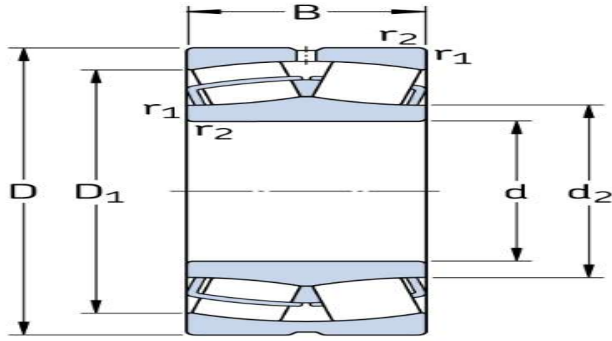
23120 CC/W33	100	165	52	4.55	365	490	53	4000	---
24120 CC/W33	100	165	65	5.65	455	640	68	3200	---
23022 CCK/W33 + H 322	100	170	45	5.75	310	440	46.5	4300	---
22220 E	100	180	46	4.9	425	490	49	4500	SN220
23122 CCK/W33 + H 3122	100	180	56	7.7	430	585	61	3600	SN3122
23220 CC/W33	100	180	60.3	6.85	475	600	63	3400	SN220
22222 EK + H 322	100	200	53	8.9	560	640	63	4000	SN522
23222 CCK/W33 + H 2322	100	200	69.8	12.5	600	765	76.5	3200	SN522
21320 E	100	215	47	8.6	425	490	49	4500	SN320
22320 E	100	215	73	13.5	815	950	88	3000	SN320
22322 EK + H 2322	100	240	80	21	950	1120	100	2800	SN622
24122 CCK30/W33 + AH 24122	105	180	69	7.65	520	750	78	3000	---
23022 CC/W33	110	170	45	3.8	310	440	46.5	4300	---
24022 CC/W33	110	170	60	5	415	620	67	3600	---
23024 CCK/W33 + H 3024	110	180	46	5.95	355	510	53	4000	SN3024
23122 CC/W33	110	180	56	5.75	430	585	61	3600	---
24122 CC/W33	110	180	69	7.1	520	750	78	3000	---
22222 E	110	200	53	7	560	640	63	4000	SN222
23124 CCK/W33 + H 3124	110	200	62	10	510	695	71	3400	SN3124
23222 CC/W33	110	200	69.8	9.85	600	765	76.5	3200	SN222
22224 EK + H 3124	110	215	58	11	630	765	73.5	3800	SN524
23224 CCK/W33 + H 2324	110	215	76	14.7	695	930	93	2800	SN524
22322 E	110	240	80	18.4	950	1120	100	2800	SN322
22324 CCK/W33 + H 2324	110	260	86	25.5	965	1120	100	2600	SN624
24024 CCK30/W33 + AH 24024	115	180	60	5.95	430	670	68	3400	---
23026 CCK/W33 + H 3026	115	200	52	8.6	430	610	62	3600	SN3026
24124 CCK30/W33 + AH 24124	115	200	80	10.8	655	950	95	2600	---
23126 CCK/W33 + H 3126	115	210	64	12	560	780	78	3200	SN3126
22226 EK + H 3126	115	230	64	14	735	930	88	3600	SN526
23226 CCK/W33 + H 2326	115	230	80	18.5	780	1060	104	2600	SN526
22326 CCK/W33 + H 2326	115	280	93	33	1120	1320	114	2400	SN626
23024 CC/W33	120	180	46	4.2	355	510	53	4000	---
24024 CC/W33	120	180	60	5.45	430	670	68	3400	---



Cylindrical bore

Tapered bore

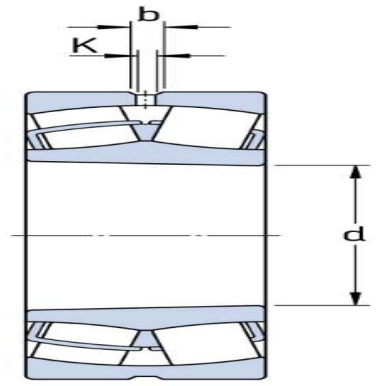
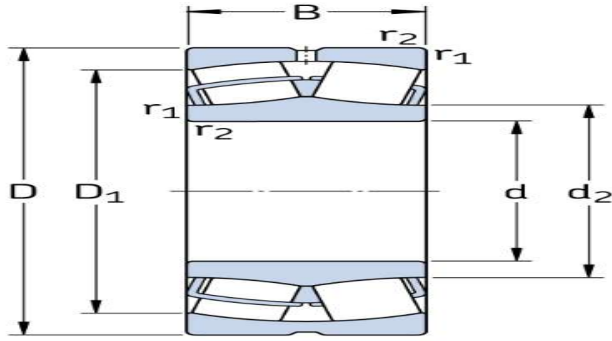
23124 CC/W33	120	200	62	8	510	695	71	3400	---
24124 CC/W33	120	200	80	10.3	655	950	95	2600	---
22224 E	120	215	58	8.7	630	765	73.5	3800	SN224
23224 CC/W33	120	215	76	12	695	930	93	2800	SN224
22324 CC/W33	120	260	86	23	965	1120	100	2600	SN324
24026 CCK30/W33 + AH 24026	125	200	69	8.65	540	815	81.5	3000	---
23028 CCK/W33 + H 3028	125	210	53	9.4	465	680	68	3400	SN3028
24126 CCK30/W33 + AH 24126	125	210	80	11.7	680	1000	100	2400	---
23128 CCK/W33 + H 3128	125	225	68	14.3	630	900	88	2800	SN3128
22228 CCK/W33 + H 3128	125	250	68	17.8	710	900	86.5	3200	SN528
23228 CCK/W33 + H 2328	125	250	88	24	915	1250	120	2400	SN528
22328 CCK/W33 + H 2328	125	300	102	41	1290	1560	132	2200	SN628
23026 CC/W33	130	200	52	6	430	610	62	3600	---
24026 CC/W33	130	200	69	8.05	540	815	81.5	3000	---
23126 CC/W33	130	210	64	8.8	560	780	78	3200	---
24126 CC/W33	130	210	80	11	680	1000	100	2400	---
22226 E	130	230	64	11	735	930	88	3600	SN226
23226 CC/W33	130	230	80	14.5	780	1060	104	2600	SN226
22326 CC/W33	130	280	93	29	1120	1320	114	2400	SN326
24028 CCK30/W33 + AH 24028	135	210	69	9.2	570	900	88	2800	---
23030 CCK/W33 + H 3030	135	225	56	11	510	750	73.5	3200	SN3030
24128 CCK30/W33 + AH 24128	135	225	85	14.3	765	1160	112	2400	---
23130 CCK/W33 + H 3130	135	250	80	20.8	830	1200	114	2600	SN3130
22230 CCK/W33 + H 3130	135	270	73	22.8	850	1080	102	3000	SN530
23230 CCK/W33 + H 2330	135	270	96	30	1080	1460	137	2200	SN530
22330 CCK/W33 + H 2330	135	320	108	47.4	1460	1760	146	2000	SN630
23028 CC/W33	140	210	53	6.55	465	680	68	3400	---
24028 CC/W33	140	210	69	8.55	570	900	88	2800	---
23128 CC/W33	140	225	68	10.5	630	900	88	2800	---
24128 CC/W33	140	225	85	13.5	765	1160	112	2400	---
23032 CCK/W33 + H 3032	140	240	60	14.5	585	880	83	3000	SN3032
22228 CC/W33	140	250	68	14	710	900	86.5	3200	SN228
23228 CC/W33	140	250	88	19	915	1250	120	2400	SN228



Cylindrical bore

Tapered bore

23132 CCK/W33 + H 3132	140	270	86	27.3	980	1370	129	2400	SN3132
22232 CCK/W33 + H 3132	140	290	80	29.3	1000	1290	118	2800	SN532
23232 CCK/W33 + H 2332	140	290	104	38.8	1220	1660	153	2200	SN532
22328 CC/W33	140	300	102	36.5	1290	1560	132	2200	SN328
22332 CCK/W33 + H 2332	140	340	114	60	1600	1960	160	1900	SN632
24030 CCK30/W33 + AH 24030	145	225	75	11.3	655	1040	100	2600	---
24130 CCK30/W33 + AH 24130	145	250	100	21	1020	1530	146	2200	---
23030 CC/W33	150	225	56	7.95	510	750	73.5	3200	---
24030 CC/W33	150	225	75	10.5	655	1040	100	2600	---
24032 CCK30/W33 + AH 24032	150	240	80	14.8	750	1200	114	2400	---
23130 CC/W33	150	250	80	16	830	1200	114	2600	---
24130 CC/W33	150	250	100	20	1020	1530	146	2200	---
23034 CCK/W33 + H 3034	150	260	67	18.3	710	1060	100	2800	SN3034
22230 CC/W33	150	270	73	18	850	1080	102	3000	SN230
23230 CC/W33	150	270	96	24.5	1080	1460	137	2200	SN230
24132 CCK30/W33 + AH 24132	150	270	109	28.5	1180	1760	163	1900	---
23134 CCK/W33 + H 3134	150	280	88	29.5	1040	1500	137	2400	SD3134
22234 CCK/W33 + H 3134	150	310	86	36	1120	1460	132	2600	SD534
23234 CCK/W33 + H 2334	150	310	110	46.4	1400	1930	173	2000	SD3234
22330 CC/W33	150	320	108	43.5	1460	1760	146	2000	SN330
22334 CCK/W33 + H 2334	150	360	120	69.5	1760	2160	176	1800	SD634
23032 CC/W33	160	240	60	9.7	585	880	83	3000	---
24032 CC/W33	160	240	80	13	750	1200	114	2400	---
23936 CCK/W33 + H 3936	160	250	52	13.4	431	830	76.5	2800	---
24034 CCK30/W33 + AH 24034	160	260	90	20	930	1460	137	2400	---
23132 CC/W33	160	270	86	20.5	980	1370	129	2400	---
24132 CC/W33	160	270	109	25	1180	1760	163	1900	---
23036 CCK/W33 + H 3036	160	280	74	23.2	830	1250	114	2600	SN3036
24134 CCK30/W33 + AH 24134	160	280	109	30	1220	1860	170	1900	---
22232 CC/W33	160	290	80	22.5	1000	1290	118	2800	SN232
23232 CC/W33	160	290	104	31	1220	1660	153	2200	SN232
23136 CCK/W33 + H 3136	160	300	96	37	1200	1760	160	2200	SD3136
22236 CCK/W33 + H 3136	160	320	86	38.2	1180	1560	140	2600	SD536



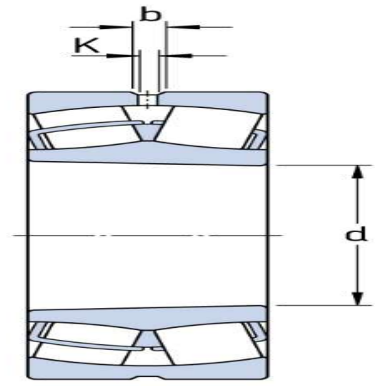
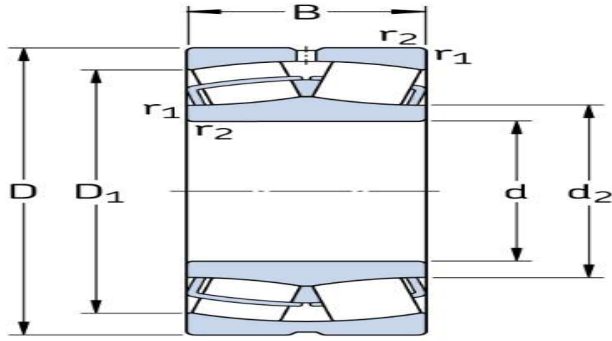
Cylindrical bore

Tapered bore

23236 CCK/W33 + H 2336	160	320	112	49.5	1500	2120	186	1900	SD3236
22332 CC/W33	160	340	114	52	1600	1960	160	1900	SN332
22336 CCK/W33 + H 2336	160	380	126	80	2000	2450	193	1700	SD636
23938 CCK/W33 + H 3938	170	260	52	14.5	414	800	76.5	2600	---
23034 CC/W33	170	260	67	13	710	1060	100	2800	---
24034 CC/W33	170	260	90	17.5	930	1460	137	2400	---
23134 CC/W33	170	280	88	22	1040	1500	137	2400	---
24036 CCK30/W33 + AH 24036	170	280	100	25.7	1080	1730	156	2200	---
24134 CC/W33	170	280	109	27.5	1220	1860	170	1900	---
23038 CCK/W33 + H 3038	170	290	75	24.8	865	1340	122	2400	SN3038
24136 CCK30/W33 + AH 24136	170	300	118	37	1400	2160	196	1700	---
22234 CC/W33	170	310	86	28.5	1120	1460	132	2600	---
23234 CC/W33	170	310	110	37.5	1400	1930	173	2000	---
23138 CCK/W33 + H 3138	170	320	104	44.5	1370	2080	183	2000	SD3138
22238 CCK/W33 + H 3138	170	340	92	46	1270	1700	150	2400	SD538
23238 CCK/W33 + H 2338	170	340	120	59	1660	2400	208	1800	SD3238
22334 CC/W33	170	360	120	61	1760	2160	176	1800	---
22338 CCK/W33 + H 2338	170	400	132	93	2120	2650	208	1600	SD638
23936 CC/W33	180	250	52	7.9	431	830	76.5	2800	---
23940 CCK/W33 + H 3940	180	280	60	19	546	1040	93	2400	---
23036 CC/W33	180	280	74	17	830	1250	114	2600	---
24036 CC/W33	180	280	100	23	1080	1730	156	2200	---
24038 CCK30/W33 + AH 24038	180	290	100	27.5	1120	1800	163	2000	---
23136 CC/W33	180	300	96	28	1200	1760	160	2200	---
24136 CC/W33	180	300	118	34.5	1400	2160	196	1700	---
23040 CCK/W33 + H 3040	180	310	82	31.7	1000	1530	137	2200	SD3040
22236 CC/W33	180	320	86	29.5	1180	1560	140	2600	---
23236 CC/W33	180	320	112	39.5	1500	2120	186	1900	---
24138 CCK30/W33 + AH 24138	180	320	128	46.5	1600	2500	212	1600	---
23140 CCK/W33 + H 3140	180	340	112	55.5	1600	2360	204	1900	SD3140
22240 CCK/W33 + H 3140	180	360	98	66	1460	1930	166	2200	SD540
23240 CCK/W33 + H 2340	180	360	128	70	1860	2700	228	1700	SD3240
22336 CC/W33	180	380	126	71.5	2000	2450	193	1700	---



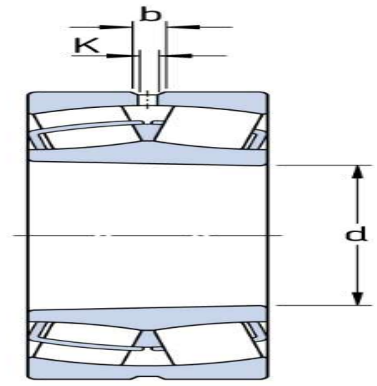
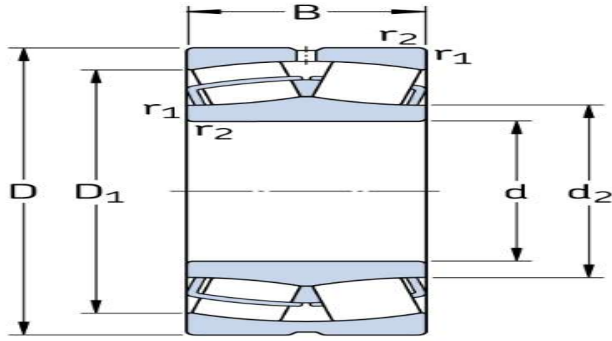




Cylindrical bore

Tapered bore

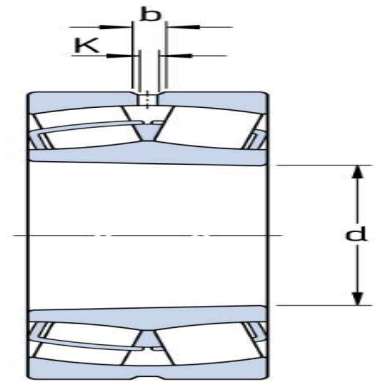
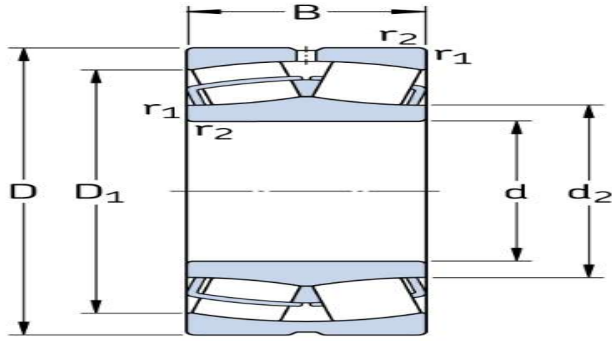
23144 CC/W33	220	370	120	53.5	1800	2750	232	1700	---
24144 CC/W33	220	370	150	67	2120	3350	285	1400	---
22244 CC/W33	220	400	108	60.5	1760	2360	196	2000	---
23148 CCK/W33 + OH 3148 H	220	400	128	80.5	2080	3200	255	1600	SD3148
23244 CC/W33	220	400	144	81.5	2360	3450	285	1500	---
24148 CCK30/W33 + AOH 24148	220	400	160	91.5	2400	3900	320	1300	---
22248 CCK/W33 + OH 3148 H	220	440	120	99	2200	3000	245	1800	SD548
23248 CCK/W33 + OH 2348 H	220	440	160	125	2900	4300	345	1300	SD3248
22344 CC/W33	220	460	145	120	2700	3450	260	1400	---
22348 CCK/W33 + OH 2348 H	220	500	155	170	3100	4000	290	1300	SD648
23948 CC/W33	240	320	60	13.5	564	1160	98	2000	---
23952 CCK/W33 + OH 3952 H	240	360	75	35	880	1800	156	1900	---
23048 CC/W33	240	360	92	33.5	1290	2080	176	1900	---
24048 CC/W33	240	360	118	43	1600	2700	228	1600	---
23052 CCK/W33 + OH 3052 H	240	400	104	60.5	1600	2550	212	1700	SD3052
23148 CC/W33	240	400	128	66.5	2080	3200	255	1600	---
24052 CCK30/W33 + AOH 24052 G	240	400	140	75	2040	3450	285	1400	---
24148 CC/W33	240	400	160	83	2400	3900	320	1300	---
22248 CC/W33	240	440	120	83	2200	3000	245	1800	---
23152 CCK/W33 + OH 3152 H	240	440	144	109	2550	3900	290	1400	SD3152
23248 CC/W33	240	440	160	110	2900	4300	345	1300	---
24152 CCK30/W33 + AOH 24152	240	440	180	120	3000	4800	380	1200	---
22252 CCK/W33 + OH 3152 H	240	480	130	130	2650	3550	285	1600	SD552
23252 CCK/W33 + OH 2352 H	240	480	174	160	3250	4750	360	1200	SD3252
22348 CC/W33	240	500	155	155	3100	4000	290	1300	---
22352 CCK/W33 + OH 2352 H	240	540	165	215	3550	4550	325	1100	SD652
23952 CC/W33	260	360	75	23.5	880	1800	156	1900	---
23956 CCK/W33 + OH 3956 H	260	380	75	40	845	1760	143	1700	---
23052 CC/W33	260	400	104	48.5	1600	2550	212	1700	---
24052 CC/W33	260	400	140	65.5	2040	3450	285	1400	---
23056 CCK/W33 + OH 3056 H	260	420	106	67	1730	2850	224	1600	SD3056
24056 CCK30/W33 + AOH 24056 G	260	420	140	79	2160	3800	285	1400	---
23152 CC/W33	260	440	144	90.5	2550	3900	290	1400	---



Cylindrical bore

Tapered bore

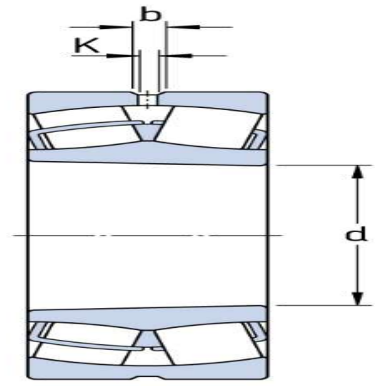
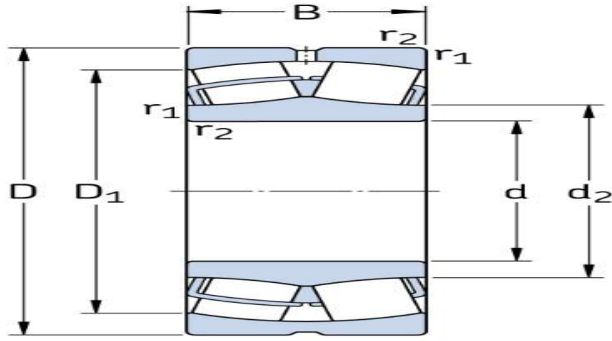
24152 CC/W33	260	440	180	110	3000	4800	380	1200	---
23156 CCK/W33 + OH 3156 H	260	460	146	115	2650	4250	335	1300	SD3156
24156 CCK30/W33 + AOH 24156	260	460	180	130	3100	5100	415	1100	---
22252 CC/W33	260	480	130	110	2650	3550	285	1600	---
23252 CC/W33	260	480	174	140	3250	4750	360	1200	---
22256 CCK/W33 + OH 3156 H	260	500	130	135	2700	3750	300	1500	SD556
23256 CCK/W33 + OH 2356 H	260	500	176	165	3250	4900	365	1100	SD3256
22352 CC/W33	260	540	165	190	3550	4550	325	1100	---
22356 CCK/W33 + OH 2356 H	260	580	175	250	4000	5200	365	1100	SD656
23956 CC/W33	280	380	75	25	845	1760	143	1700	---
23960 CCK/W33 + OH 3960 H	280	420	90	58.5	1200	2500	200	1600	---
23056 CC/W33	280	420	106	52.5	1730	2850	224	1600	---
24056 CC/W33	280	420	140	69.5	2160	3800	285	1400	---
23060 CCK/W33 + OH 3060 H	280	460	118	90	2120	3450	265	1500	SD3060
23156 CC/W33	280	460	146	97	2650	4250	335	1300	---
24060 CCK30/W33 + AOH 24060 G	280	460	160	110	2700	4750	355	1200	---
24156 CC/W33	280	460	180	120	3100	5100	415	1100	---
22256 CC/W33	280	500	130	115	2700	3750	300	1500	---
23160 CCK/W33 + OH 3160 H	280	500	160	150	3200	5100	380	1200	SD3160
23256 CC/W33	280	500	176	150	3250	4900	365	1100	---
24160 CCK30/W33 + AOH 24160	280	500	200	180	3750	6300	465	1000	---
22260 CCK/W33 + OH 3160 H	280	540	140	170	3150	4250	325	1400	SD560
23260 CCK/W33 + OH 3260 H	280	540	192	210	3900	5850	425	1000	SD3260
22356 CC/W33	280	580	175	235	4000	5200	365	1100	---
23860 CAMA	300	380	60	16.5	656	1600	137	1700	---
23960 CC/W33	300	420	90	39.5	1200	2500	200	1600	---
23964 CCK/W33 + OH 3964 H	300	440	90	61	1430	2700	212	1500	---
23060 CC/W33	300	460	118	71.5	2120	3450	265	1500	---
24060 CC/W33	300	460	160	97	2700	4750	355	1200	---
23064 CCK/W33 + OH 3064 H	300	480	121	97	2240	3800	285	1400	SD3064
24064 CCK30/W33 + AOH 24064 G	300	480	160	115	2850	5100	400	1200	---
23160 CC/W33	300	500	160	125	3200	5100	380	1200	---
24160 CC/W33	300	500	200	160	3750	6300	465	1000	---



Cylindrical bore

Tapered bore

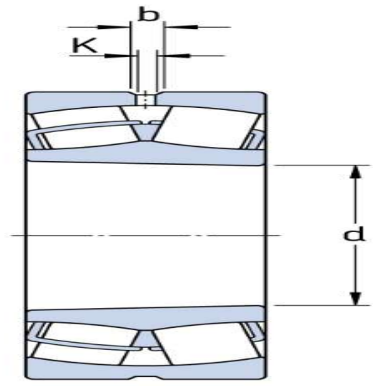
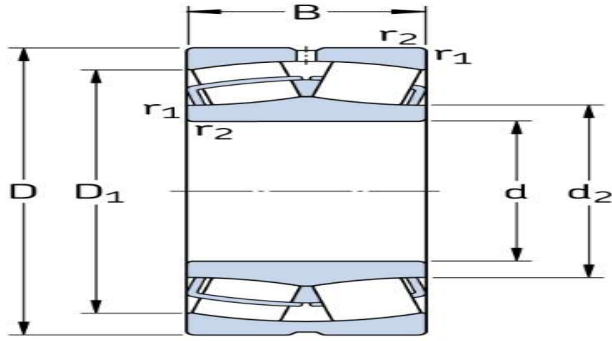
22260 CC/W33	300	540	140	145	3150	4250	325	1400	---
23164 CCK/W33 + OH 3164 H	300	540	176	185	3750	6000	440	1100	SD3164
23260 CC/W33	300	540	192	190	3900	5850	425	1000	---
24164 CCK30/W33 + AOH 24164	300	540	218	225	4250	7100	510	900	---
22264 CCK/W33 + OH 3164 H	300	580	150	200	3600	4900	375	1300	SD564
23264 CCK/W33 + OH 3264 H	300	580	208	260	4400	6700	480	950	SD3264
23964 CC/W33	320	440	90	42	1430	2700	212	1500	---
23968 CCK/W33 + OH 3968 H	320	460	90	67.5	1460	2800	216	1400	---
23064 CC/W33	320	480	121	78	2240	3800	285	1400	---
24064 CC/W33	320	480	160	100	2850	5100	400	1200	---
23068 CCK/W33 + OH 3068 H	320	520	133	130	2700	4550	335	1300	SD3068
24068 CCK30/W33 + AOH 24068	320	520	180	160	3450	6200	475	1100	---
23164 CC/W33	320	540	176	165	3750	6000	440	1100	---
24164 CC/W33	320	540	218	210	4250	7100	510	900	---
22264 CC/W33	320	580	150	175	3600	4900	375	1300	---
23168 CCK/W33 + OH 3168 H	320	580	190	250	4250	6800	480	1000	SD3168 N
23264 CC/W33	320	580	208	240	4400	6700	480	950	---
24168 ECCK30J/W33 + AOH 24168	320	580	243	295	5300	8650	630	850	---
23268 CAK/W33 + OH 3268 H	320	620	224	335	5100	7800	550	800	SD3268
23968 CC/W33	340	460	90	45.5	1460	2800	216	1400	---
23972 CCK/W33 + OH 3972 H	340	480	90	70.5	1400	2750	220	1300	---
23068 CC/W33	340	520	133	105	2700	4550	335	1300	---
24068 CC/W33	340	520	180	140	3450	6200	475	1100	---
23072 CCK/W33 + OH 3072 H	340	540	134	135	2750	4800	345	1200	SD3072
24072 CCK30/W33 + AOH 24072	340	540	180	165	3550	6550	490	1000	---
23168 CC/W33	340	580	190	210	4250	6800	480	1000	---
24168 ECCJ/W33	340	580	243	280	5300	8650	630	850	---
23172 CCK/W33 + OH 3172 H	340	600	192	260	4300	6950	490	1000	SD3172 N
24172 ECCK30J/W33 + AOH 24172	340	600	243	295	5600	9300	670	800	---
23268 CA/W33	340	620	224	295	5100	7800	550	800	---
22272 CAK/W33 + OH 3172 H	340	650	170	375	4300	6200	440	850	---
23272 CAK/W33 + OH 3272 H	340	650	232	375	5400	8300	570	750	SD3272
23972 CC/W33	360	480	90	46	1400	2750	220	1300	---



Cylindrical bore

Tapered bore

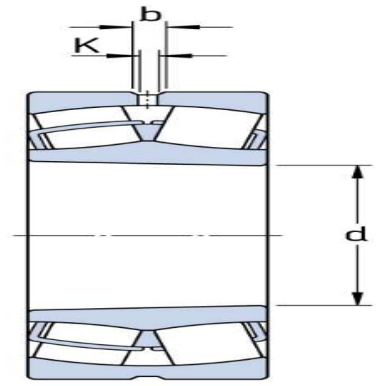
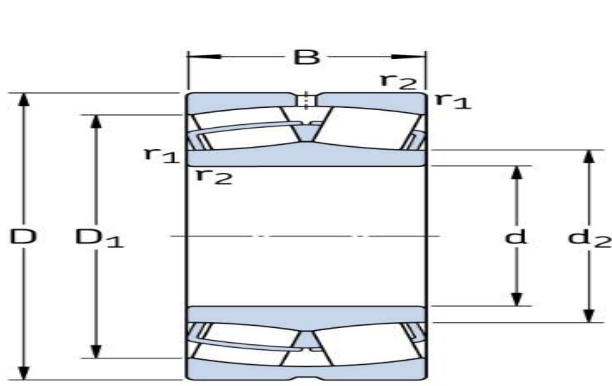
23976 CCK/W33 + OH 3976 H	360	520	106	96	1960	3800	285	1200	---
23072 CC/W33	360	540	134	110	2750	4800	345	1200	---
24072 CC/W33	360	540	180	145	3550	6550	490	1000	---
23076 CCK/W33 + OH 3076 H	360	560	135	145	2900	5000	360	1200	SD3076
24076 CCK30/W33 + AOH 24076	360	560	180	170	3600	6800	480	950	---
23172 CC/W33	360	600	192	220	4300	6950	490	1000	---
24172 ECCJ/W33	360	600	243	280	5600	9300	670	800	---
23176 CAK/W33 + OH 3176 H	360	620	194	275	4400	7100	500	1000	SD3176 N
24176 ECAK30/W33 + AOH 24176	360	620	243	325	5700	9800	710	850	---
22272 CA/W33	360	650	170	255	4300	6200	440	850	---
23272 CA/W33	360	650	232	335	5400	8300	570	750	---
23276 CAK/W33 + OH 3276 H	360	680	240	420	5850	9150	620	750	SD3275
23976 CC/W33	380	520	106	69	1960	3800	285	1200	---
23980 CCK/W33 + OH 3980 H	380	540	106	100	2000	3900	290	1200	---
23076 CC/W33	380	560	135	115	2900	5000	360	1200	---
24076 CC/W33	380	560	180	150	3600	6800	480	950	---
23080 CCK/W33 + OH 3080 H	380	600	148	180	3250	5700	400	1100	SD3080
24080 ECCK30J/W33 + AOH 24080	380	600	200	220	4300	8000	560	900	---
23176 CA/W33	380	620	194	230	4400	7100	500	1000	---
24176 ECA/W33	380	620	243	300	5700	9800	710	850	---
23180 CAK/W33 + OH 3180 H	380	650	200	325	4650	7650	530	950	SD3180 N
24180 ECAK30/W33 + AOH 24180	380	650	250	365	6200	10600	735	800	---
23276 CA/W33	380	680	240	375	5850	9150	620	750	---
23280 CAK/W33 + OH 3280 H	380	720	256	505	6550	10400	680	670	SD3280
22380 CAK/W33 + OH 3280 H	380	820	243	735	7500	10400	670	750	---
23980 CC/W33	400	540	106	71	2000	3900	290	1200	---
23984 CCK/W33 + OH 3984 H	400	560	106	105	2040	4150	300	1100	---
23080 CC/W33	400	600	148	150	3250	5700	400	1100	---
24080 ECCJ/W33	400	600	200	205	4300	8000	560	900	---
23084 CAK/W33 + OH 3084 H	400	620	150	190	3400	6000	415	1100	SD3084
24084 ECAK30/W33 + AOH 24084	400	620	200	230	4400	8300	585	900	---
23180 CA/W33	400	650	200	265	4650	7650	530	950	---
24180 ECA/W33	400	650	250	340	6200	10600	735	800	---



Cylindrical bore

Tapered bore

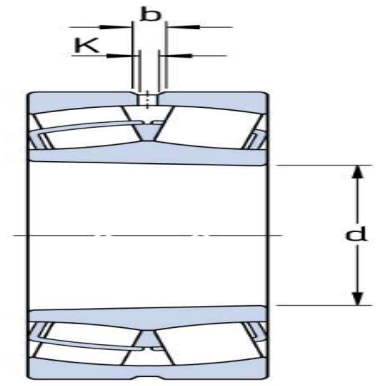
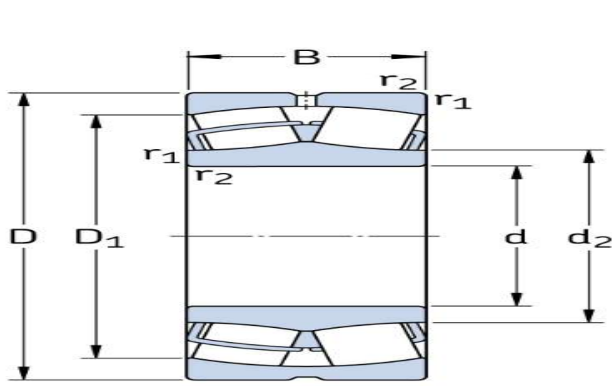
23184 CKJ/W33 + OH 3184 H	400	700	224	410	5600	9300	620	900	SD3184 N
24184 ECAK30/W33 + AOH 24184	400	700	280	470	7350	12600	850	700	---
23280 CA/W33	400	720	256	450	6550	10400	680	670	---
23284 CAK/W33 + OH 3284 H	400	760	272	590	7350	11600	765	630	SD3284
22380 CA/W33	400	820	243	650	7500	10400	670	750	---
23988 CCK/W33 + OH 3988 H	410	600	118	150	2450	4900	345	1000	---
23088 CAK/W33 + OH 3088 H	410	650	157	235	3650	6550	450	1000	SD3088
23188 CAK/W33 + OH 3188 H	410	720	226	430	6000	10000	670	850	SD3188
23288 CAK/W33 + OH 3288 H	410	790	280	670	7800	12500	800	600	SD3288
23984 CC/W33	420	560	106	74.5	2040	4150	300	1100	---
23084 CA/W33	420	620	150	155	3400	6000	415	1100	---
24084 ECA/W33	420	620	200	210	4400	8300	585	900	---
24088 ECAK30/W33 + AOH 24088	420	650	212	275	4800	9150	630	850	---
23184 CJ/W33	420	700	224	350	5600	9300	620	900	---
24184 ECA/W33	420	700	280	445	7350	12600	850	700	---
24188 ECAK30/W33 + AOH 24188	420	720	280	490	7500	13200	900	700	---
23284 CA/W33	420	760	272	535	7350	11600	765	630	---
23992 CAK/W33 + OH 3992 H	430	620	118	160	2500	5000	355	1000	---
23092 CAK/W33 + OH 3092 H	430	680	163	265	3900	6950	465	950	SD3092
23192 CAK/W33 + OH 3192 H	430	760	240	530	6400	10800	680	800	SD3192
23292 CAK/W33 + OH 3292 H	430	830	296	790	8500	13700	880	560	---
23988 CC/W33	440	600	118	99.5	2450	4900	345	1000	---
23088 CA/W33	440	650	157	180	3650	6550	450	1000	---
24088 ECA/W33	440	650	212	245	4800	9150	630	850	---
24092 ECAK30/W33 + AOH 24092	440	680	218	300	5200	10000	670	800	---
23188 CA/W33	440	720	226	360	6000	10000	670	850	---
24188 ECA/W33	440	720	280	460	7500	13200	900	700	---
24192 ECAK30/W33 + AOH 24192	440	760	300	590	8300	14600	1000	670	---
23288 CA/W33	440	790	280	590	7800	12500	800	600	---
23996 CAK/W33 + OH 3996 H	450	650	128	185	2900	5700	405	1000	---
23096 CAK/W33 + OH 3096 H	450	700	165	275	3900	6800	450	950	SD3096
23196 CAK/W33 + OH 3196 H	450	790	248	590	6950	12000	780	750	SD3196
23296 CAK/W33 + OH 3296 H	450	870	310	935	9300	15000	950	530	---



Cylindrical bore

Tapered bore

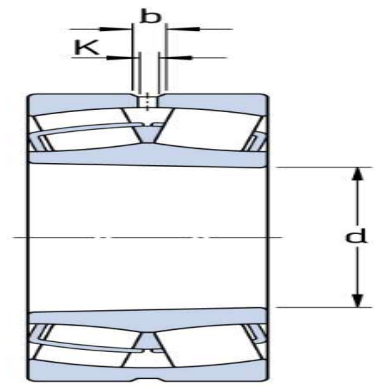
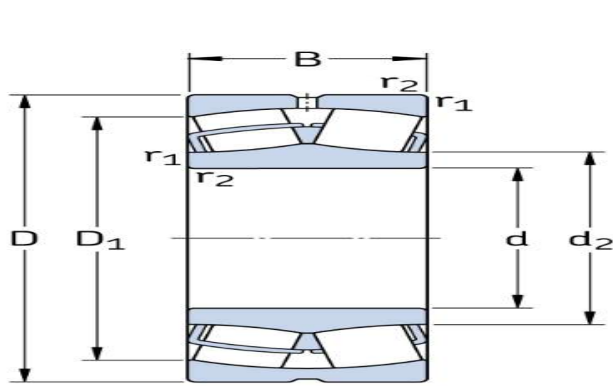
24892 CAMA/W20	460	580	118	75.5	1790	4900	345	1100	
23992 CA/W33	460	620	118	105	2500	5000	355	1000	
23092 CA/W33	460	680	163	205	3900	6950	465	950	
24092 ECA/W33	460	680	218	275	5200	10000	670	800	
24096 ECAK30/W33 + AOH 24096	460	700	218	310	5300	10400	695	750	
23192 CA/W33	460	760	240	440	6400	10800	680	800	
24192 ECA/W33	460	760	300	560	8300	14600	1000	670	
24196 ECAK30/W33 + AOH 24196	460	790	308	635	9000	15600	1040	630	
23292 CA/W33	460	830	296	695	8500	13700	880	560	
239/500 CAK/W33 + OH 39/500 H	470	670	128	195	2900	6000	415	950	
230/500 CAK/W33 + OH 30/500 H	470	720	167	290	4150	7800	510	900	
231/500 CAK/W33 + OH 31/500 H	470	830	264	690	7650	12900	830	700	
232/500 CAK/W33 + OH 32/500 H	470	920	336	1100	10600	17300	1060	500	
23896 CAMA/W20	480	600	90	61	1440	3750	280	1100	
23996 CA/W33	480	650	128	125	2900	5700	405	1000	
23096 CA/W33	480	700	165	215	3900	6800	450	950	
24096 ECA/W33	480	700	218	285	5300	10400	695	750	
240/500 ECAK30/W33 + AOH 240/500	480	720	218	325	5500	11000	735	700	
23196 CA/W33	480	790	248	485	6950	12000	780	750	
24196 ECA/W33	480	790	308	605	9000	15600	1040	630	
241/500 ECAK30/W33 + AOH 241/500	480	830	325	735	9800	17000	1120	600	
23296 CA/W33	480	870	310	800	9300	15000	950	530	
238/500 CAMA/W20	500	620	90	62	1480	4000	290	1000	
239/500 CA/W33	500	670	128	130	2900	6000	415	950	
239/530 CAK/W33 + OH 39/530 H	500	710	136	255	3200	6700	480	900	
230/500 CA/W33	500	720	167	225	4150	7800	510	900	
240/500 ECA/W33	500	720	218	295	5500	11000	735	700	
230/530 CAK/W33 + OH 30/530 H	500	780	185	395	5100	9300	630	800	
240/530 ECAK30/W33 + AOH 240/530 G	500	780	250	455	6700	13200	830	670	
231/500 CA/W33	500	830	264	580	7650	12900	830	700	
241/500 ECA/W33	500	830	325	700	9800	17000	1120	600	
231/530 CAK/W33 + OH 31/530 H	500	870	272	765	8150	14000	915	670	
241/530 ECAK30/W33 + AOH 241/530 G	500	870	335	885	10600	19000	1220	560	



Cylindrical bore

Tapered bore

232/500 CA/W33	500	920	336	985	10600	17300	1060	500	
232/530 CAK/W33 + OH 32/530 H	500	980	355	1490	11100	20400	1220	480	
248/530 CAMA/W20	530	650	118	86	1840	5300	380	950	
239/530 CA/W33	530	710	136	155	3200	6700	480	900	
239/560 CAK/W33 + OH 39/560 H	530	750	140	260	3450	7200	510	850	
230/530 CA/W33	530	780	185	310	5100	9300	630	800	
240/530 ECA/W33	530	780	250	410	6700	13200	830	670	
230/560 CAK/W33 + OH 30/560 H	530	820	195	445	5600	10200	680	750	
240/560 ECAK30/W33 + AOH 240/560 G	530	820	258	515	7350	14600	960	630	
231/530 CA/W33	530	870	272	645	8150	14000	915	670	
241/530 ECA/W33	530	870	335	830	10600	19000	1220	560	
231/560 CAK/W33 + OH 31/560 H	530	920	280	880	9150	16000	980	630	
241/560 ECK30J/W33 + AOH 241/560 G	530	920	355	1060	12000	21600	1340	500	
232/530 CA/W33	530	980	355	1200	11100	20400	1220	480	
232/560 CAK/W33 + OH 32/560 H	530	1030	365	1490	11500	22000	1400	430	
239/560 CA/W33	560	750	140	175	3450	7200	510	850	
239/600 CAK/W33 + OH 39/600 H	560	800	150	330	3900	8300	585	750	
230/560 CA/W33	560	820	195	355	5600	10200	680	750	
240/560 ECA/W33	560	820	258	465	7350	14600	960	630	
230/600 CAK/W33 + OH 30/600 H	560	870	200	525	6000	11400	750	700	
231/560 CA/W33	560	920	280	740	9150	16000	980	630	
241/560 ECJ/W33	560	920	355	985	12000	21600	1340	500	
231/600 CAK/W33 + OH 31/600 H	560	980	300	1070	10200	18000	1100	560	
232/560 CA/W33	560	1030	365	1350	11500	22000	1400	430	
232/600 CAK/W33 + OH 32/600 H	560	1090	388	1780	13100	25500	1560	400	
240/600 ECAK30/W33 + AOHX 240/600	570	870	272	595	8150	17000	1100	560	
241/600 ECAK30/W33 + AOHX 241/600	570	980	375	1290	11500	23600	1460	480	
239/600 CA/W33	600	800	150	220	3900	8300	585	750	
239/630 CAK/W33 + OH 39/630 H	600	850	165	385	4650	9800	640	700	
230/600 CA/W33	600	870	200	405	6000	11400	750	700	
240/600 ECA/W33	600	870	272	520	8150	17000	1100	560	
230/630 CAK/W33 + OH 30/630 H	600	920	212	595	6700	12500	800	670	
240/630 ECK30J/W33 + AOH 240/630 G	600	920	290	730	8800	18000	1140	530	

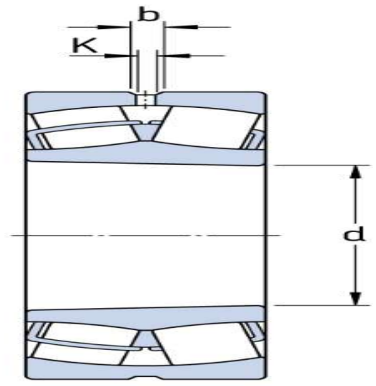
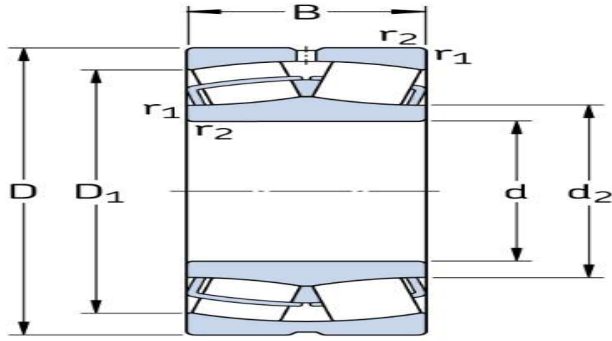


Cylindrical bore

Tapered bore

231/600 CA/W33	600	980	300	895	10200	18000	1100	560	
241/600 ECA/W33	600	980	375	1200	11500	23600	1460	480	
231/630 CAK/W33 + OH 31/630 H	600	1030	315	1240	10500	20800	1220	530	
241/630 ECAK30/W33 + AOH 241/630 G	600	1030	400	1500	12700	27000	1630	450	
232/600 CA/W33	600	1090	388	1600	13100	25500	1560	400	
238/630 CAMA/W20	630	780	112	120	2190	6100	415	750	
239/630 CA/W33	630	850	165	280	4650	9800	640	700	
239/670 CAK/W33 + OH 39/670 H	630	900	170	455	5000	10800	695	670	
230/630 CA/W33	630	920	212	485	6700	12500	800	670	
240/630 ECJ/W33	630	920	290	645	8800	18000	1140	530	
230/670 CAK/W33 + OH 30/670 H	630	980	230	755	7650	14600	915	600	
240/670 ECAK30/W33 + AOH 240/670 G	630	980	308	900	10000	20400	1320	500	
231/630 CA/W33	630	1030	315	1050	10500	20800	1220	530	
241/630 ECA/W33	630	1030	400	1400	12700	27000	1630	450	
231/670 CAK/W33 + OH 31/670 H	630	1090	336	1510	10900	22400	1370	500	
241/670 ECAK30/W33 + AOH 241/670	630	1090	412	1730	13800	29000	1760	400	
232/670 CAK/W33 + OH 32/670 H	630	1220	438	2535	15400	30500	1700	360	
238/670 CAMA/W20	670	820	112	130	2250	6400	440	700	
248/670 CAMA/W20	670	820	150	172	3110	9500	655	700	
239/670 CA/W33	670	900	170	315	5000	10800	695	670	
239/710 CAK/W33 + OH 39/710 H	670	950	180	525	5600	12000	765	600	
230/670 CA/W33	670	980	230	600	7650	14600	915	600	
240/670 ECA/W33	670	980	308	790	10000	20400	1320	500	
230/710 CAK/W33 + OH 30/710 H	670	1030	236	860	8300	16300	1000	560	
240/710 ECAK30/W33 + AOH 240/710 G	670	1030	315	1010	10400	22000	1370	450	
231/670 CA/W33	670	1090	336	1250	10900	22400	1370	500	
241/670 ECA/W33	670	1090	412	1600	13800	29000	1760	400	
231/710 CAK/W33 + OH 31/710 H	670	1150	345	1750	12200	26000	1530	450	
241/710 ECAK30/W33 + AOH 241/710	670	1150	438	2040	15200	32500	1900	380	
232/670 CA/W33	670	1220	438	2270	15400	30500	1700	360	
232/710 CAK/W33 + OH 32/710 H	670	1280	450	3350	17600	34500	2000	320	
238/710 CAMA/W20	710	870	118	153	2580	7500	500	670	
239/710 CA/W33	710	950	180	365	5600	12000	765	600	

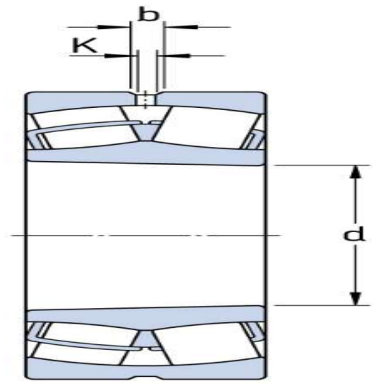
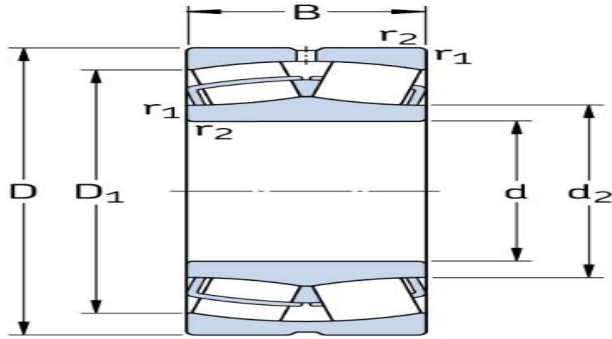




Cylindrical bore

Tapered bore

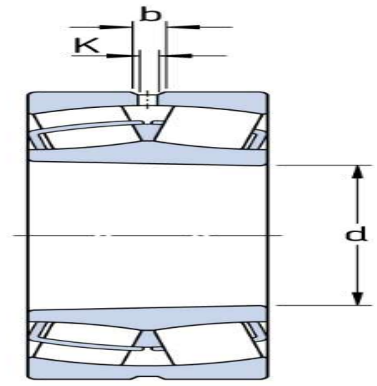
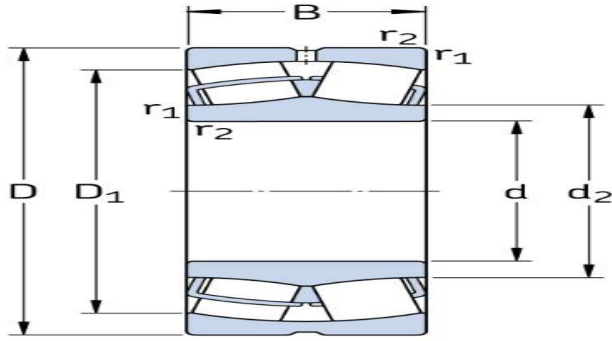
249/710 CA/W33	710	950	243	495	6800	15600	930	500	
239/750 CAK/W33 + OH 39/750 H	710	1000	185	605	6000	13200	815	560	
230/710 CA/W33	710	1030	236	670	8300	16300	1000	560	
240/710 ECA/W33	710	1030	315	895	10400	22000	1370	450	
230/750 CAK/W33 + OH 30/750 H	710	1090	250	990	9650	18600	1100	530	
240/750 ECAK30/W33 + AOH 240/750 G	710	1090	335	1200	11400	24000	1400	430	
231/710 CA/W33	710	1150	345	1450	12200	26000	1530	450	
241/710 ECA/W33	710	1150	438	1900	15200	32500	1900	380	
231/750 CAK/W33 + OH 31/750 H	710	1220	365	2045	13800	29000	1660	430	
241/750 ECAK30/W33 + AOH 241/750 G	710	1220	475	2280	17300	37500	2160	360	
232/710 CA/W33	710	1280	450	2610	17600	34500	2000	320	
232/750 CAKF/W33 + OH 32/750 H	710	1360	475	3400	18700	36500	2120	300	
238/750 CAMA/W20	750	920	128	180	2930	8500	550	600	
239/750 CA/W33	750	1000	185	420	6000	13200	815	560	
249/750 CA/W33	750	1000	250	560	7650	18000	1100	480	
239/800 CAK/W33 + OH 39/800 H	750	1060	195	730	6400	14300	880	530	
230/750 CA/W33	750	1090	250	795	9650	18600	1100	530	
240/750 ECA/W33	750	1090	335	1065	11400	24000	1400	430	
230/800 CAK/W33 + OH 30/800 H	750	1150	258	1200	10000	20000	1160	480	
240/800 ECAK30/W33 + AOH 240/800 G	750	1150	345	1380	12500	27500	1730	400	
231/750 CA/W33	750	1220	365	1700	13800	29000	1660	430	
241/750 ECA/W33	750	1220	475	2100	17300	37500	2160	360	
231/800 CAK/W33 + OH 31/800 H	750	1280	375	2430	14800	31500	1800	400	
241/800 ECAK30/W33 + AOH 241/800 G	750	1280	475	2540	18400	40500	2320	320	
232/750 CAF/W33	750	1360	475	3050	18700	36500	2120	300	
248/800 CAMA/W20	800	980	180	300	4140	12900	830	560	
239/800 CA/W33	800	1060	195	470	6400	14300	880	530	
249/800 CA/W33	800	1060	258	640	8000	19300	1060	430	
239/850 CAK/W33 + OH 39/850 H	800	1120	200	950	6950	15600	930	480	
230/800 CA/W33	800	1150	258	895	10000	20000	1160	480	
240/800 ECA/W33	800	1150	345	1200	12500	27500	1730	400	
230/850 CAK/W33 + OH 30/850 H	800	1220	272	1390	9370	21600	1270	450	
240/850 ECAK30/W33 + AOH 240/850 G	800	1220	365	1670	12700	31500	1900	360	



Cylindrical bore

Tapered bore

231/800 CA/W33	800	1280	375	1920	14800	31500	1800	400	
241/800 ECA/W33	800	1280	475	2300	18400	40500	2320	320	
231/850 CAK/W33 + OH 31/850 H	800	1360	400	2800	16100	34500	2000	360	
241/850 ECAK30F/W33 + AOH 241/850	800	1360	500	3050	20200	45000	2550	300	
238/850 CAMA/W20	850	1030	136	240	3340	10000	640	530	
239/850 CA/W33	850	1120	200	560	6950	15600	930	480	
249/850 CA/W33	850	1120	272	740	9300	22800	1370	400	
239/900 CAK/W33 + OH 39/900 H	850	1180	206	930	7500	17000	1020	450	
230/850 CA/W33	850	1220	272	1050	9370	21600	1270	450	
240/850 ECA/W33	850	1220	365	1410	12700	31500	1900	360	
230/900 CAK/W33 + OH 30/900 H	850	1280	280	1580	10100	23200	1340	400	
240/900 ECAK30/W33 + AOH 240/900	850	1280	375	1850	13600	34500	2040	340	
231/850 CA/W33	850	1360	400	2200	16100	34500	2000	360	
241/850 ECAF/W33	850	1360	500	2710	20200	45000	2550	300	
241/900 ECAK30F/W33 + AOH 241/900	850	1420	515	3700	21400	49000	2700	280	
248/900 CAMA/W20	900	1090	190	370	4660	15300	950	480	
239/900 CA/W33	900	1180	206	605	7500	17000	1020	450	
239/950 CAK/W33 + OH 39/950 H	900	1250	224	1120	7250	19600	1120	430	
230/900 CA/W33	900	1280	280	1200	10100	23200	1340	400	
240/900 ECA/W33	900	1280	375	1570	13600	34500	2040	340	
230/950 CAK/W33 + OH 30/950 H	900	1360	300	1870	12000	28500	1600	380	
240/950 CAK30F/W33 + AOH 240/950	900	1360	412	2300	14800	39000	2320	300	
241/900 ECAF/W33	900	1420	515	3350	21400	49000	2700	280	
241/950 ECAK30F/W33 + AOH 241/950	900	1500	545	3950	23900	55000	3000	260	
239/950 CA/W33	950	1250	224	755	7250	19600	1120	430	
249/950 CA/W33	950	1250	300	1015	9200	26000	1500	340	
230/950 CA/W33	950	1360	300	1450	12000	28500	1600	380	
240/950 CAF/W33	950	1360	412	1990	14800	39000	2320	300	
230/1000 CAKF/W33 + OH 30/1000 H	950	1420	308	2070	12700	30500	1700	360	
240/1000 CAK30F/W33 + AOH 240/1000	950	1420	412	2500	15400	40500	2240	280	
241/950 ECAF/W33	950	1500	545	3535	23900	55000	3000	260	
231/1000 CAKF/W33 + OH 31/1000 H	950	1580	462	4340	21400	48000	2550	280	
241/1000 ECAK30F/W33 + AOH 241/1000	950	1580	580	4800	26700	62000	3350	240	



Cylindrical bore

Tapered bore

238/1000 CAMA/W20	1000	1220	165	410	4660	14300	865	400	
249/1000 CA/W33	1000	1320	315	1200	10400	29000	1500	320	
239/1060 CAKF/W33 + OH 39/1060 H	1000	1400	250	1590	9550	26000	1460	360	
230/1000 CAF/W33	1000	1420	308	1600	12700	30500	1700	360	
240/1000 CAF/W33	1000	1420	412	2140	15400	40500	2240	280	
230/1060 CAKF/W33 + OH 30/1060 H	1000	1500	325	2800	13800	34000	1830	320	
240/1060 CAK30F/W33 + AOH 240/1060	1000	1500	438	2950	17300	45500	2500	260	
231/1000 CAF/W33	1000	1580	462	3500	21400	48000	2550	280	
241/1000 ECAF/W33	1000	1580	580	4300	26700	62000	3350	240	
238/1060 CAMA/W20	1060	1280	165	435	4770	15000	800	380	
248/1060 CAMA/W20	1060	1280	218	570	6100	20000	1200	380	
239/1060 CAF/W33	1060	1400	250	1100	9550	26000	1460	360	
249/1060 CAF/W33	1060	1400	335	1400	11500	32500	1860	280	
230/1060 CAF/W33	1060	1500	325	2250	13800	34000	1830	320	
240/1060 CAF/W33	1060	1500	438	2515	17300	45500	2500	260	
248/1120 CAFA/W20	1120	1360	243	735	7250	24000	1400	340	
249/1120 CAF/W33	1120	1460	335	1500	11700	34500	1830	260	
240/1120 CAF/W33	1120	1580	462	2925	18700	50000	2850	240	
238/1180 CAFA/W20	1180	1420	180	575	5870	18600	1080	320	
248/1180 CAFA/W20	1180	1420	243	770	7710	27000	1560	320	
239/1180 CAF/W33	1180	1540	272	1400	11100	31000	1660	300	
249/1180 CAF/W33	1180	1540	355	1800	13600	40500	2160	240	
230/1250 CAF/W33	1250	1750	375	2840	17900	45000	2400	240	
248/1320 CAFA/W20	1320	1600	280	1160	9780	33500	1860	260	
249/1320 CAF/W33	1320	1720	400	2500	16100	49000	2550	200	
248/1500 CAFA/W20	1500	1820	315	1710	12700	45000	2400	200	
248/1800 CAFA/W20	1800	2180	375	2900	17600	63000	3050	130	